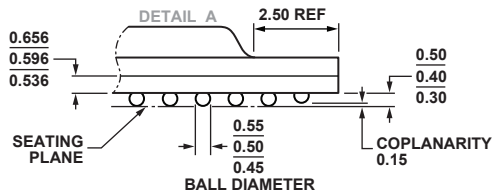
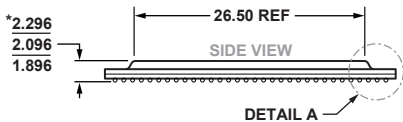
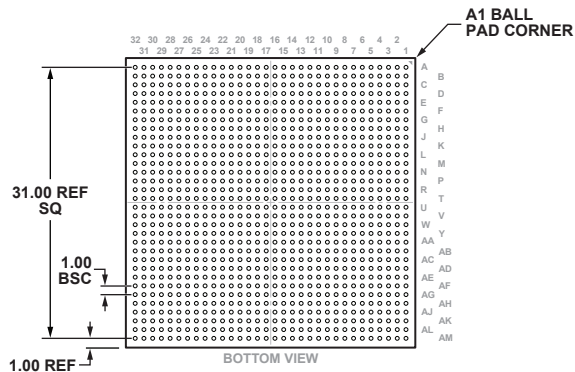
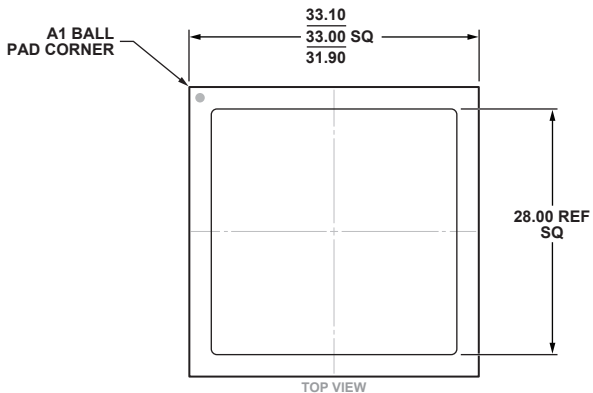


**1024-Ball Ball Grid Array, Thermally Enhanced [BGA_ED]
(BP-1024-1)**

Dimensions shown in millimeters



*COMPLIANT TO JEDEC STANDARDS MO-192-DAP-1
WITH EXCEPTION TO PACKAGE HEIGHT